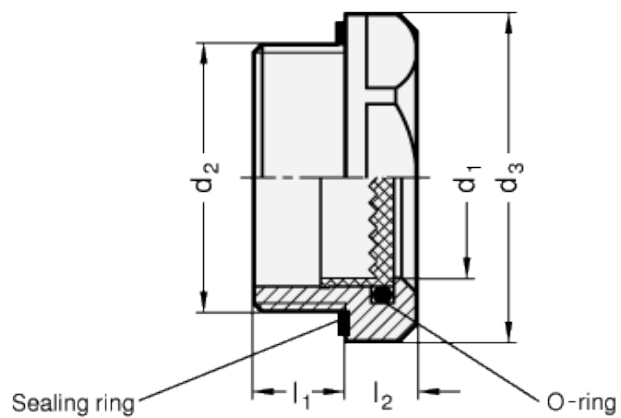
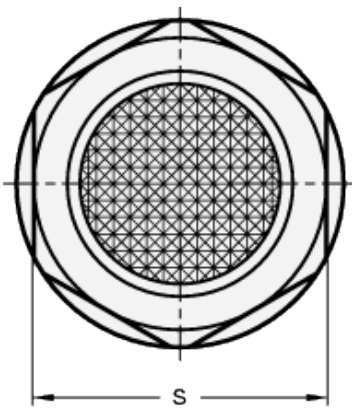


# GN 744

Oil level indicators  
with prismatic window



## technical informations

### Material

Aluminium, fine turned finish.

### Prismatic window

Transparent polyamide based (PA-T/AR) technopolymer. Resistant to alcohol, solvents, oils with additives, greases, acids and alkali. The window consists of a continuous series of prisms, which provide a clear and immediate reading of the level of the oil contained in the reservoir.



#### Flat packing ring

NBR synthetic rubber.

#### Maximum continuous working temperature

110°C.

#### Accessories on request

Brass nut type [GH](#) for fitting to reservoirs with wall thickness smaller than 5 mm.

#### Features and applications

GN 744 oil level indicators can be used on pressurised oil tanks (oil-proof resistance data available on request). The seal between the aluminium body and the technopolymer prismatic window is guaranteed by a packing ring in NBR synthetic rubber.

Standard Elements	Main dimensions						Weight
Description	d <sub>1</sub>	d <sub>2</sub>	d <sub>3</sub>	l <sub>1</sub>	l <sub>2</sub>	s	g
GN 744-14-M20x1.5	14	M20x1.5	26	8.5	7.5	23	5
GN 744-18-M26x1.5	18	M26x1.5	32	9	8	30	15
GN 744-18-M27x1.5	18	M27x1.5	32	9	8	30	16
GN 744-24-M33x1.5	24.5	M33x1.5	40	11	8.5	36	22

Standard Elements	Main dimensions						Weight
Description	d <sub>1</sub>	d <sub>2</sub>	d <sub>3</sub>	l <sub>1</sub>	l <sub>2</sub>	s	g
GN 744-14-G1/2	14	G 1/2	26	8.5	7.5	23	8
GN 744-18-G3/4	18	G 3/4	32	9	8	30	15
GN 744-24-G1	24	G 1	40	11	8.5	36	23



ELESA and GANTER models all rights reserved in accordance with the law. Always mention the source when reproducing our drawings.

STANDARD MACHINE ELEMENTS WORLDWIDE